

Ortho Mode Transducer 10.7 GHz to 12.75 GHz	Type: OM-03-Ku-R-15
Frequency Range	10.7 GHz to 12.75 GHz
Return Loss	min. 20 dB
Insertion Loss	max. 0.05 dB
Isolation between Ports	min. 46 dB
Forward polarization discrimination	min. 46 dB
Waveguide size	R120 / WR 75
Flanges Port 1 and Port 2	UBR 120; optional PBR 120
Common Port	19.05 mm standard; Other cross sections on customer request
Material	Aluminium, precision milled
Finish	White Paint (standard)
Operating Temperature	-20° C to 40° C
Operation Pressure	max. 10 kPa (100 mbar)

Ortho Mode Transducer 10.7 GHz to 12.75 GHz

Type: OM-03-Ku-R-15

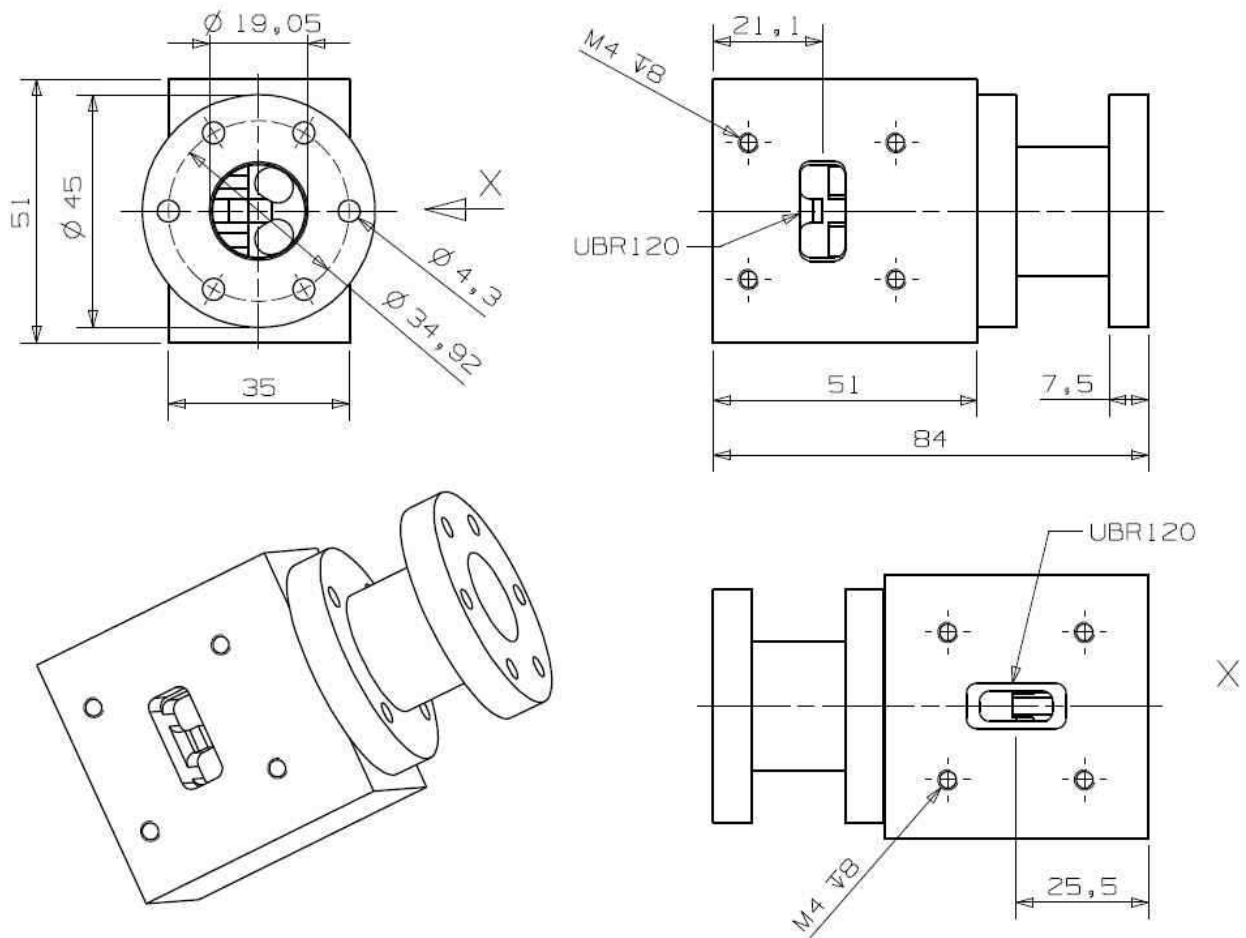


Figure: Ortho Mode Transducer 10.7 GHz to 12.75 GHz