

Ortho Mode Transducer 10,7 GHz to 14.8 GHz	Type: OM-02-Ku-RT-X
Frequency Range	10.7 GHz to 14.8 GHz
Return Loss	min. 29 dB
Insertion Loss	max. 0.05 dB
Isolation between Ports	min. 46 dB
Forward polarization discrimination	min. 46 dB
Power handling	max. 2'000 W CW each port
Waveguide size	R120 / WR 75
Flanges Port 1 and Port 2	PDR 120
Common Port	Square waveguide 20 x 20 mm, Transition to circular waveguide TBS
Material	Brass with Silver Coating
Finish	White Paint (standard)
Operating Temperature	-20° C to 40° C
Operation Pressure	max. 10 kPa (100 mbar)
Additional Feature	Two SMA- Ports are available for Monopuls tracking purposes

Ortho Mode Transducer 10,7 GHz to 14.8 GHz	Type: OM-02-Ku-RT-X
---	----------------------------

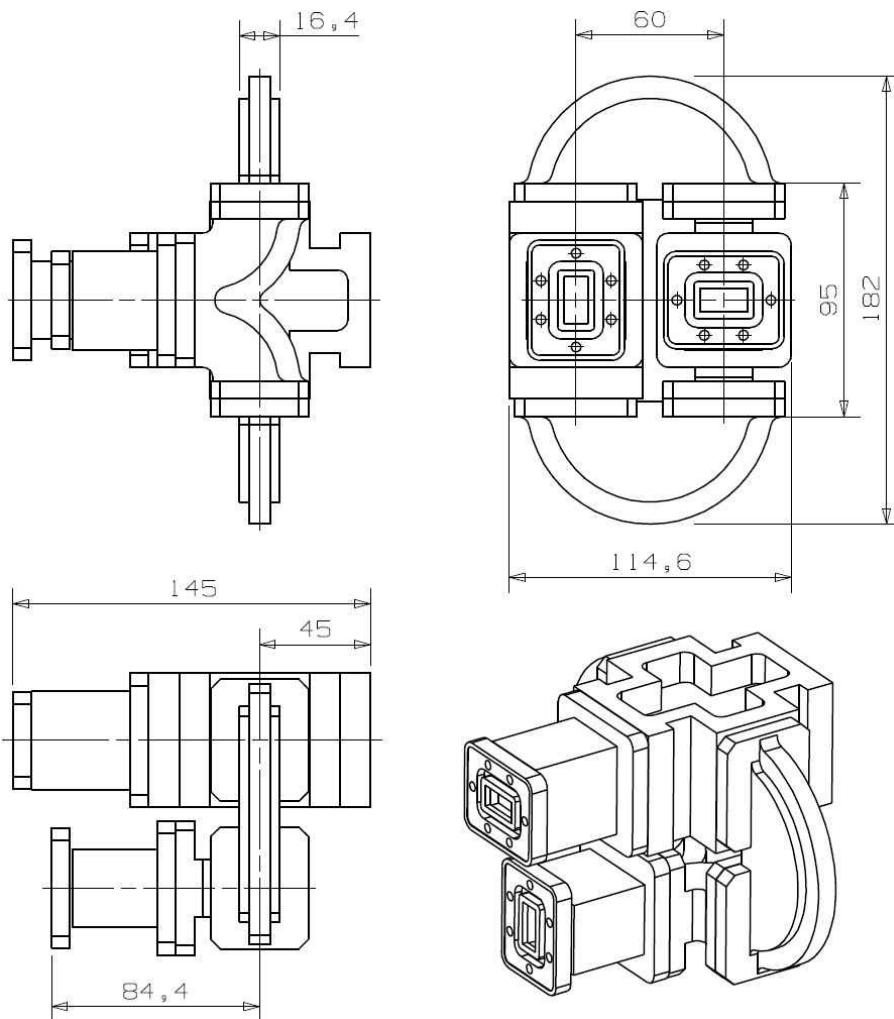


Figure: Ortho Mode Transducer 10.7 GHz to 14.8 GHz